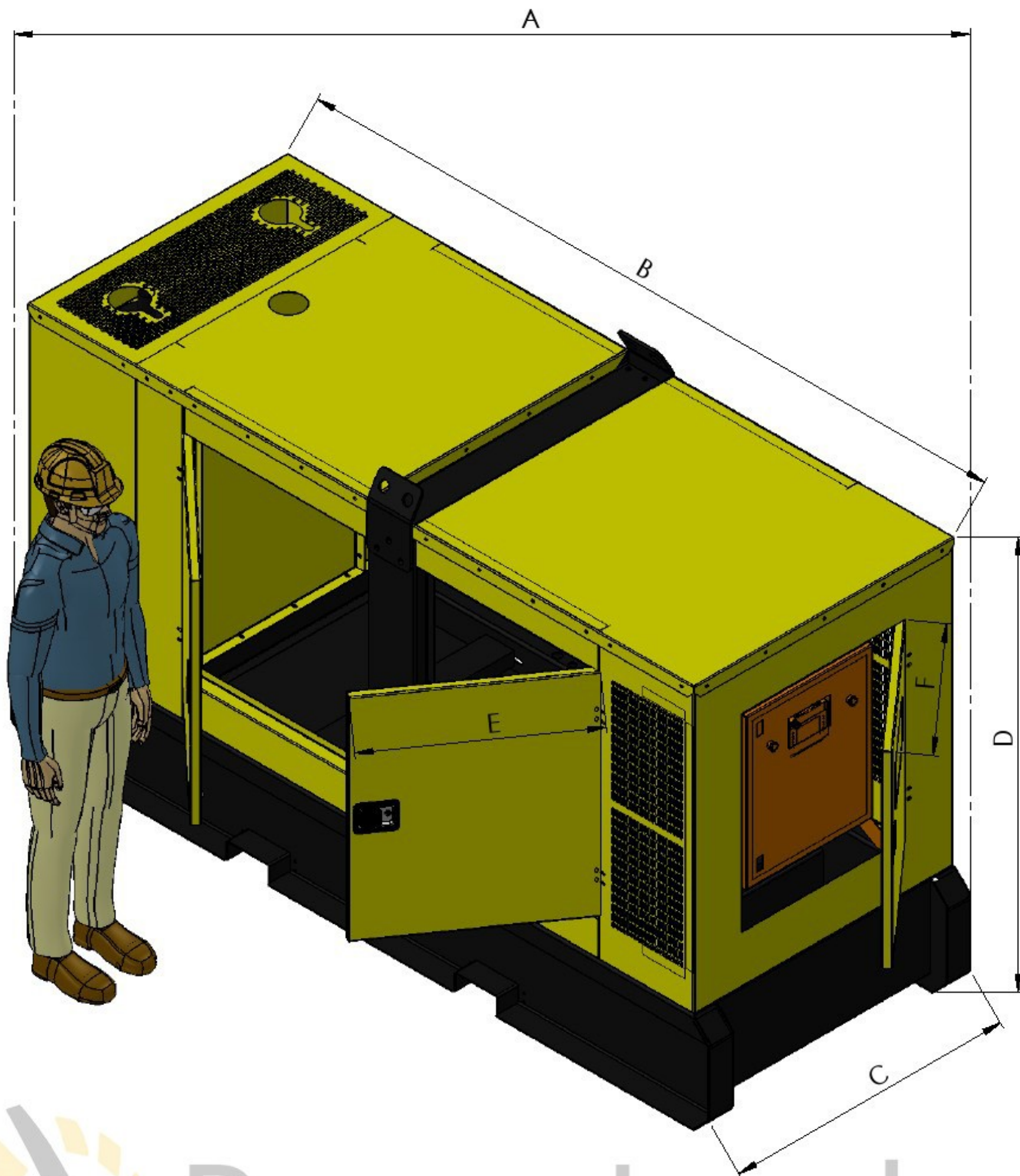


NAME	DATE	DO NOT SCALE DRAWING	REVISION
DRAWN		TITLE:	
CHK'D		C-120	
APPV'D			
MFG		DWG NO. Assembly	
MATERIAL:		A3	
WEIGHT:		SCALE: 1:10	
DIMENSIONS ARE IN MILLIMETERS		SHEET 1 OF 1	



Power Land

Dimensions

	A: mm (in)	B: mm (in)	C: mm (in)	D: mm (in)	E: mm (in)	E: mm (in)
C-120	2940	2800	1100	1622	796	684