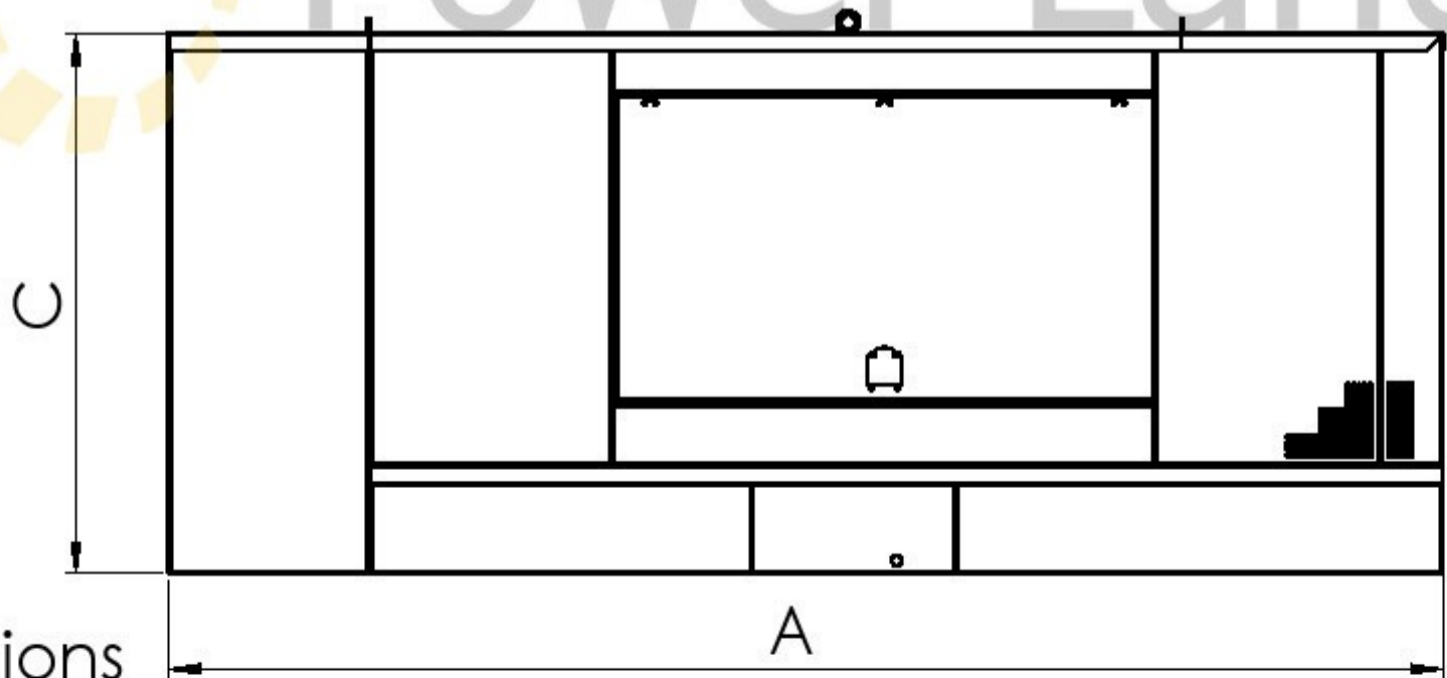
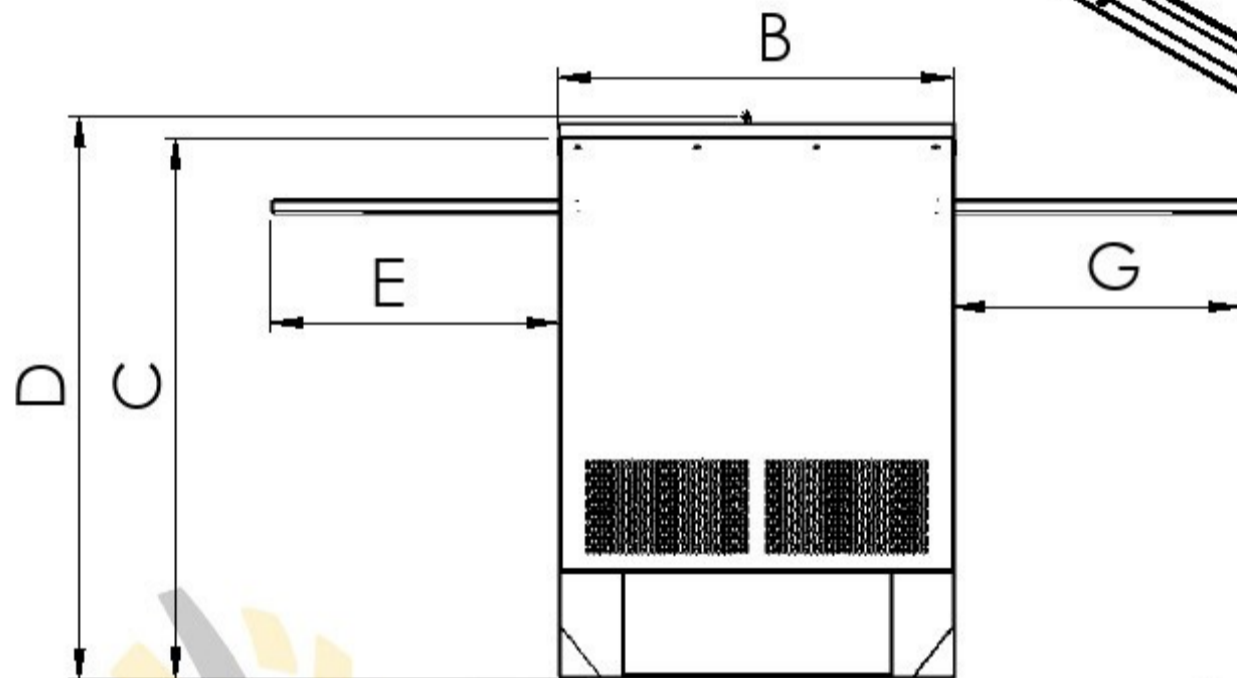
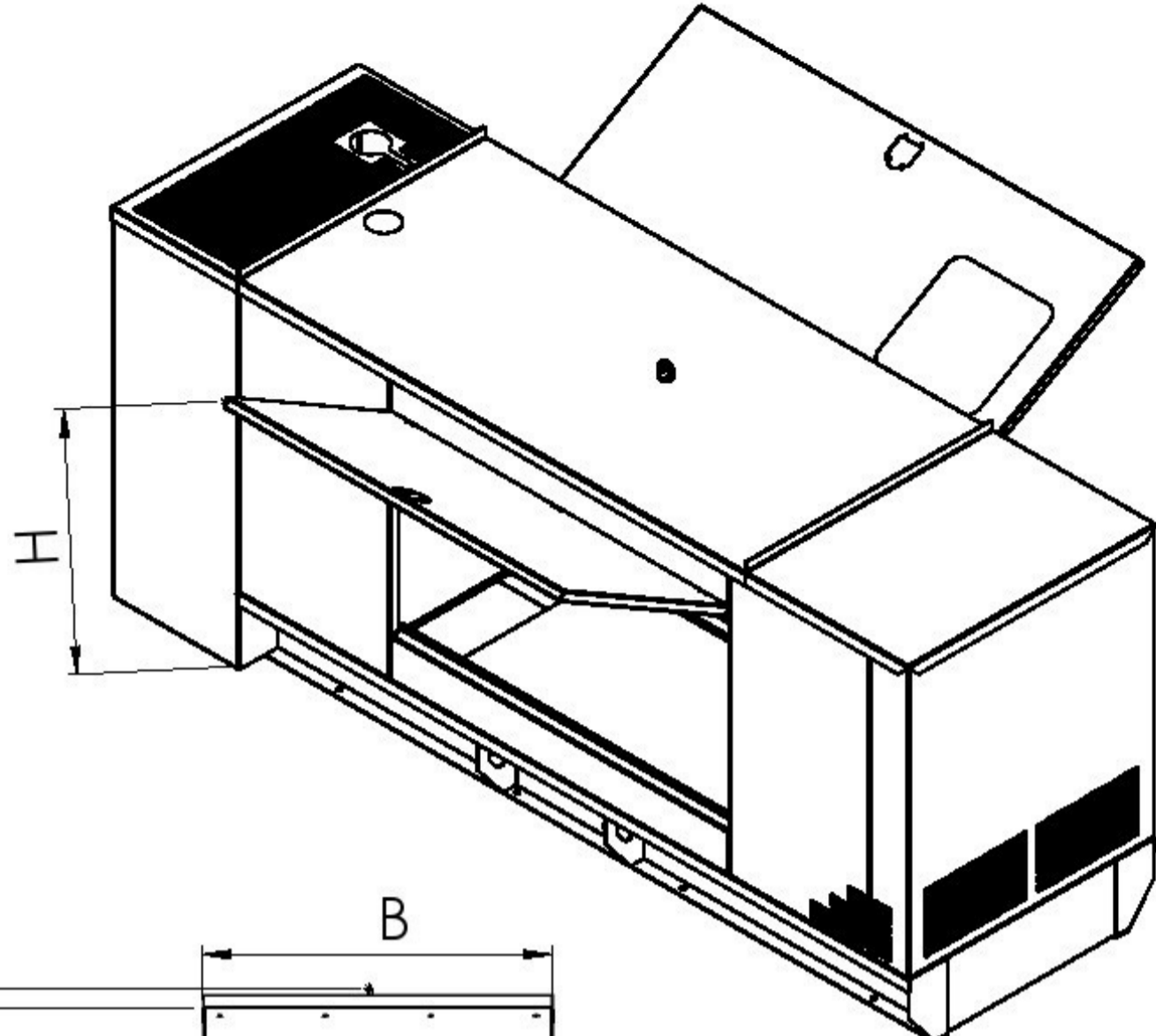


NAME	DATE	DO NOT SCALE DRAWING	REVISION
DRAWN		TITLE:	
CHK'D		C-160	
APPV'D			
MFG		DWG NO. Assembly	
MATERIAL:		A3	
WEIGHT:		SCALE: 1:100	
DIMENSIONS ARE IN MILLIMETERS		SHEET 1 OF 1	



Dimensions

	A: mm (in)	B: mm (in)	C: mm (in)	D: mm (in)	E: mm (in)	F: mm (in)	G: mm (in)	H: mm (in)
C 160	3500	1100	1500	1615	854	740	854	2000