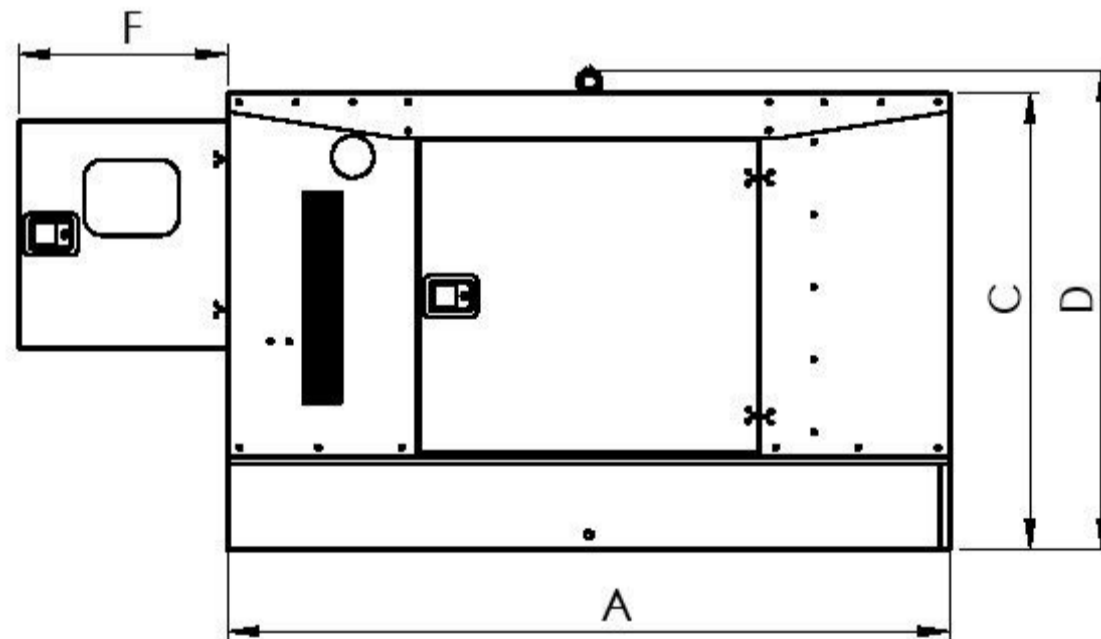
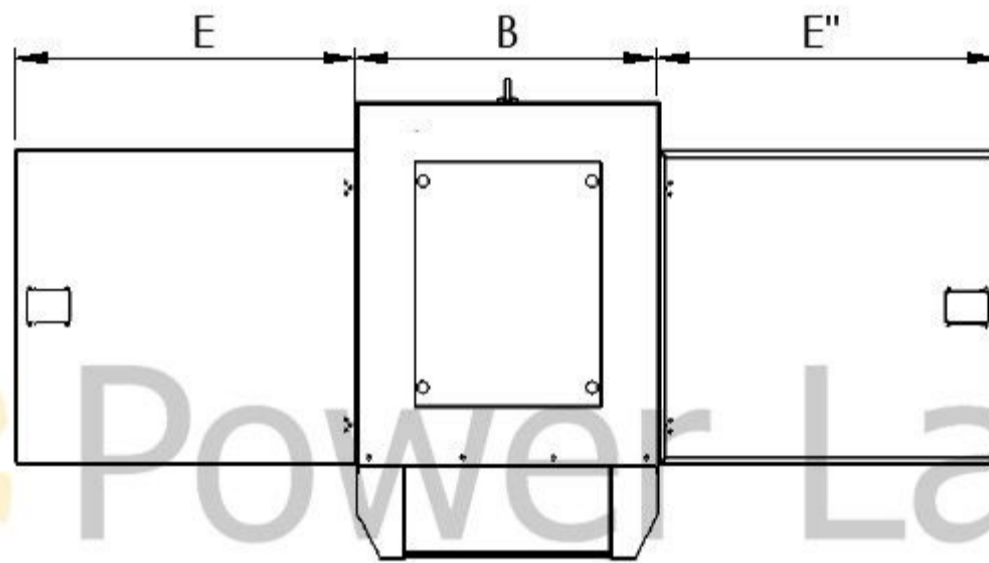
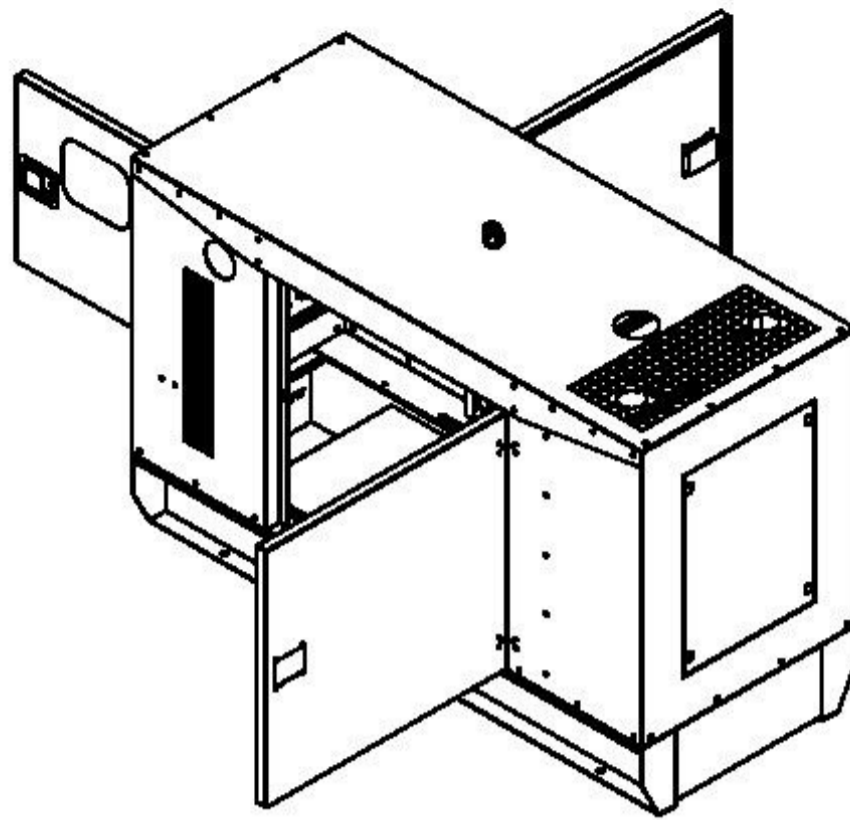


NAME	DATE	DO NOT SCALE DRAWING	REVISION
DRAWN		TITLE:	
CHK'D		C-25-N	
APPV'D			
MFG		A3	
MATERIAL:		DWG NO. Assembly	
WEIGHT:		SCALE: 1:20	
DIMENSIONS ARE IN MILLIMETERS		SHEET 1 OF 1	



Dimensions

	A: mm (in)	B: mm (in)	C: mm (in)	D: mm (in)	E: mm (in)	F: mm (in)
C 25 N	1900	800	1200	1265	895	545