

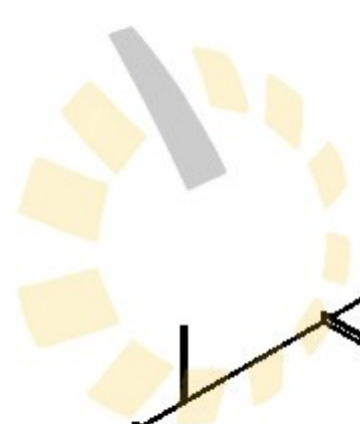
NAME	DATE	DO NOT SCALE DRAWING	REVISION
DRAWN		TITLE:	
CHK'D		C-600	
APPV'D			
MFG		DWG NO.	A3
MATERIAL:		Assembly	
WEIGHT:		SHEET 1 OF 1	
DIMENSIONS ARE IN MILLIMETERS			

C-600

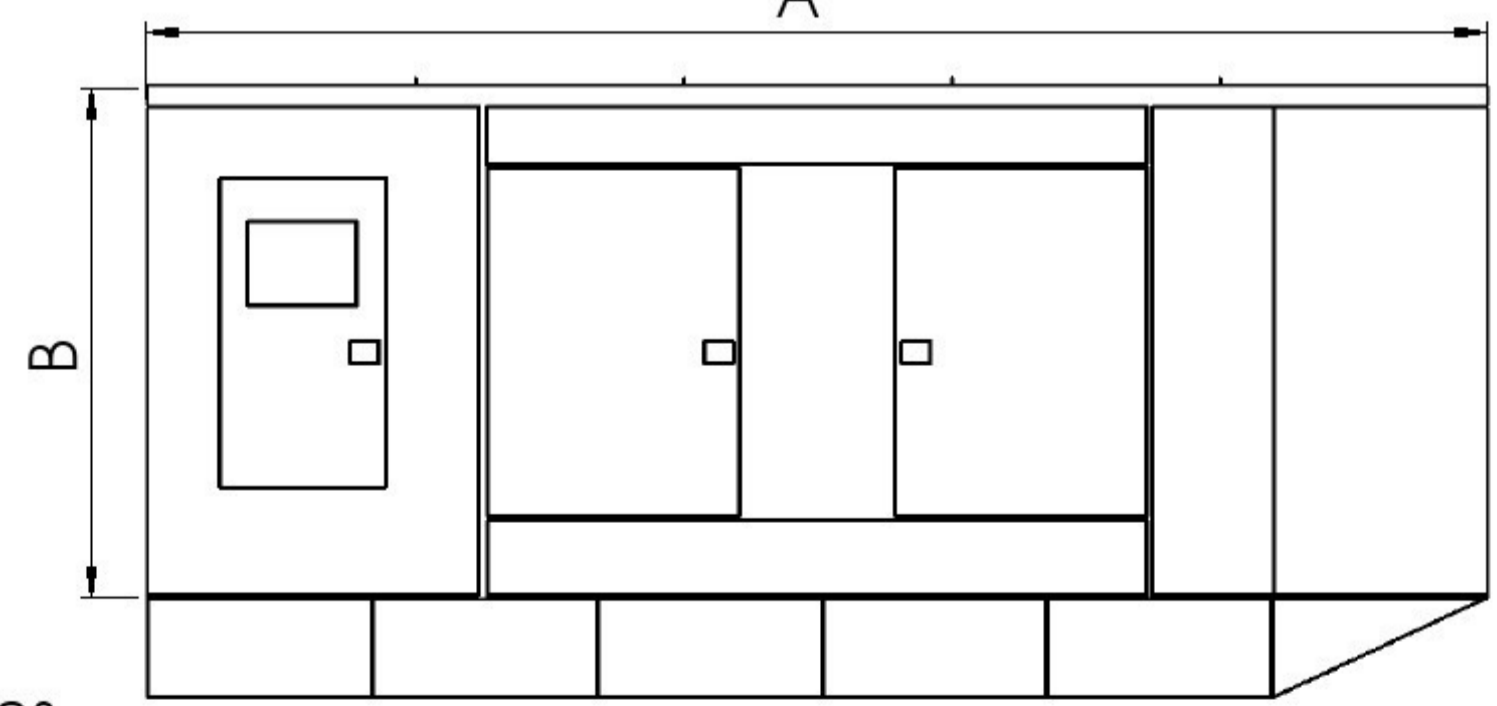
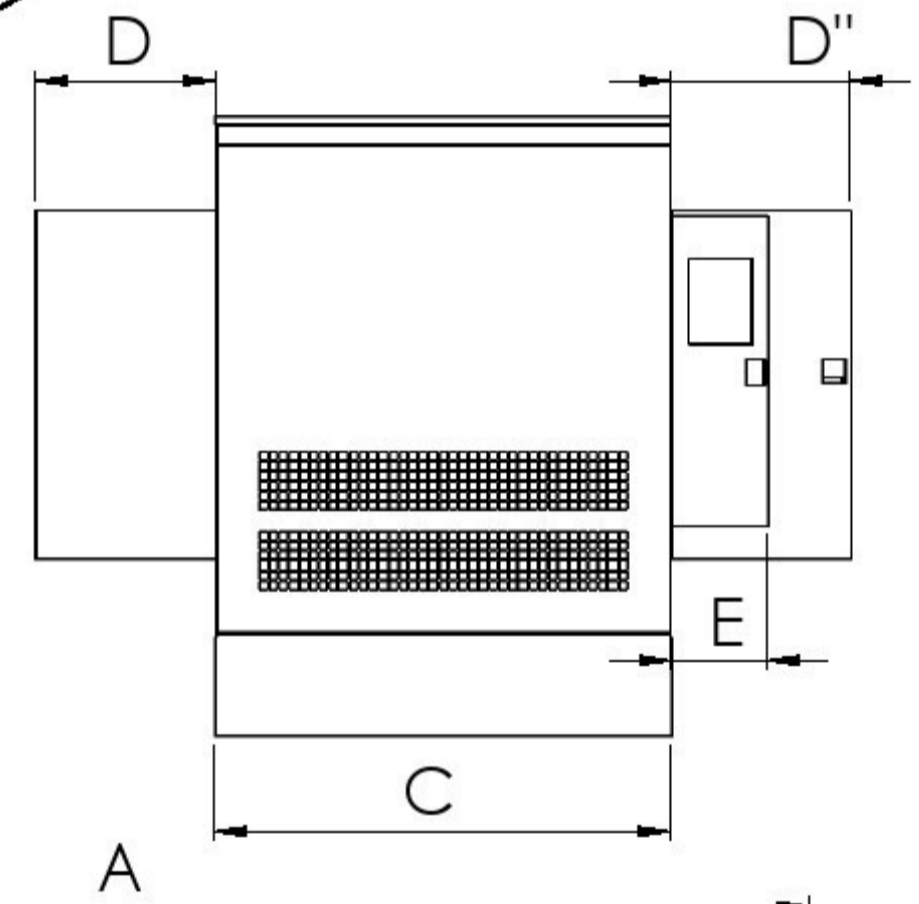
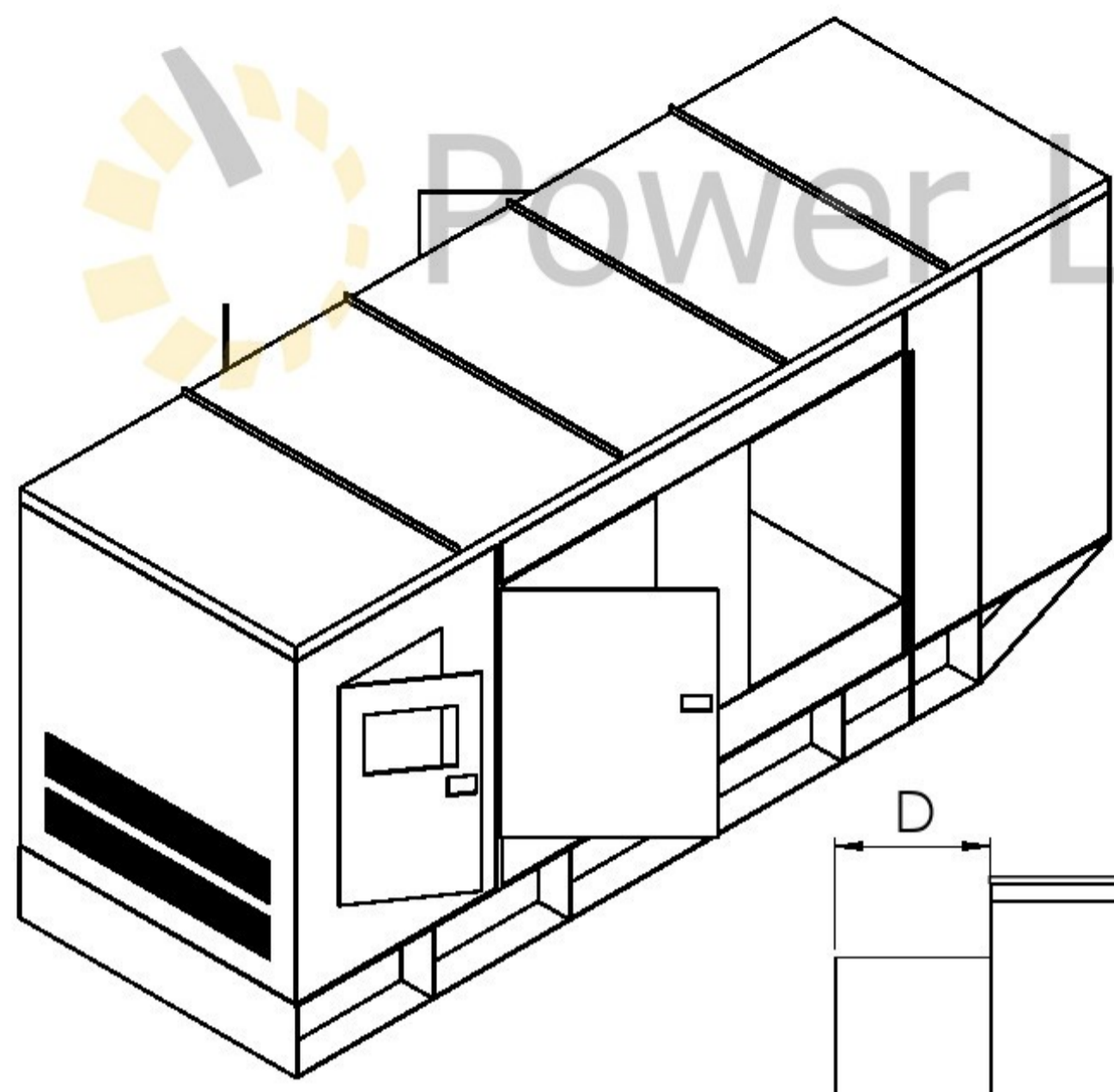
Assembly

A3

SCALE: 1:10



Power Land



Dimensions

	A: mm (in)	B: mm (in)	C: mm (in)	D: mm (in)	E: mm (in)
C-600	4700	1800	1590	890	590