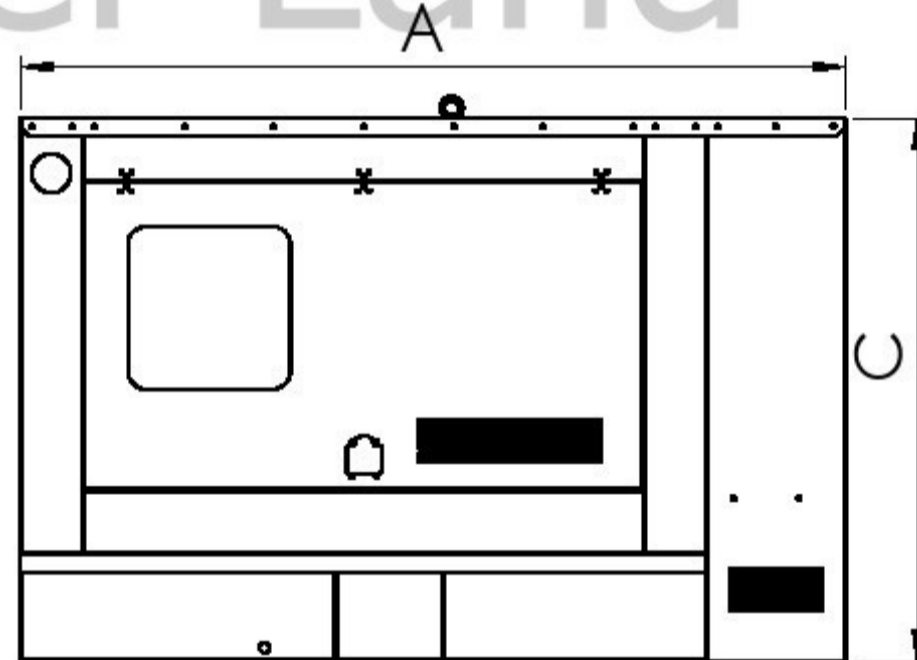
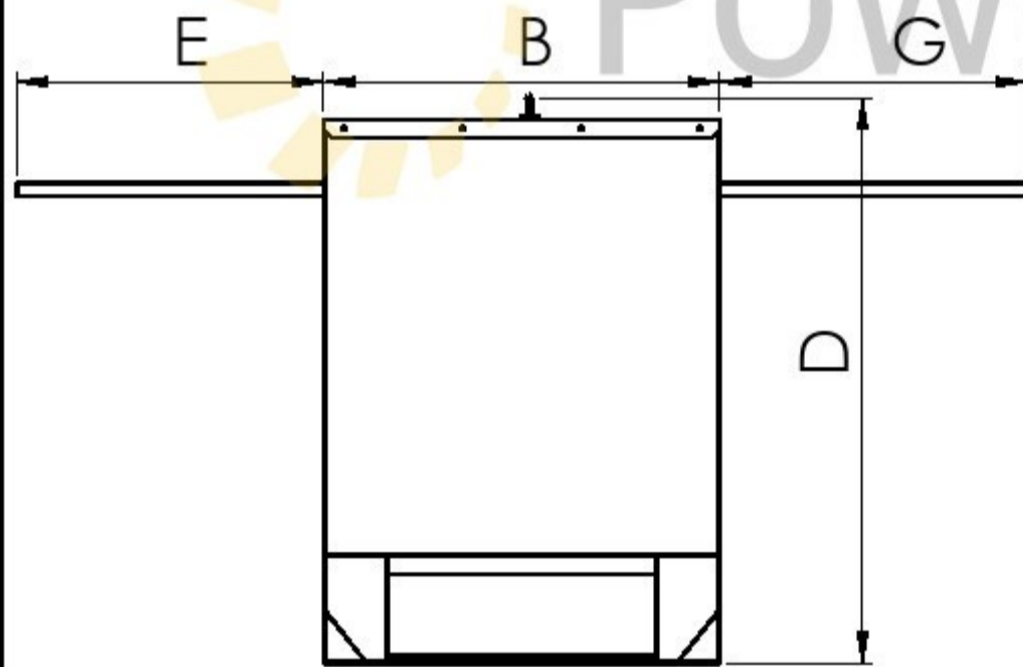
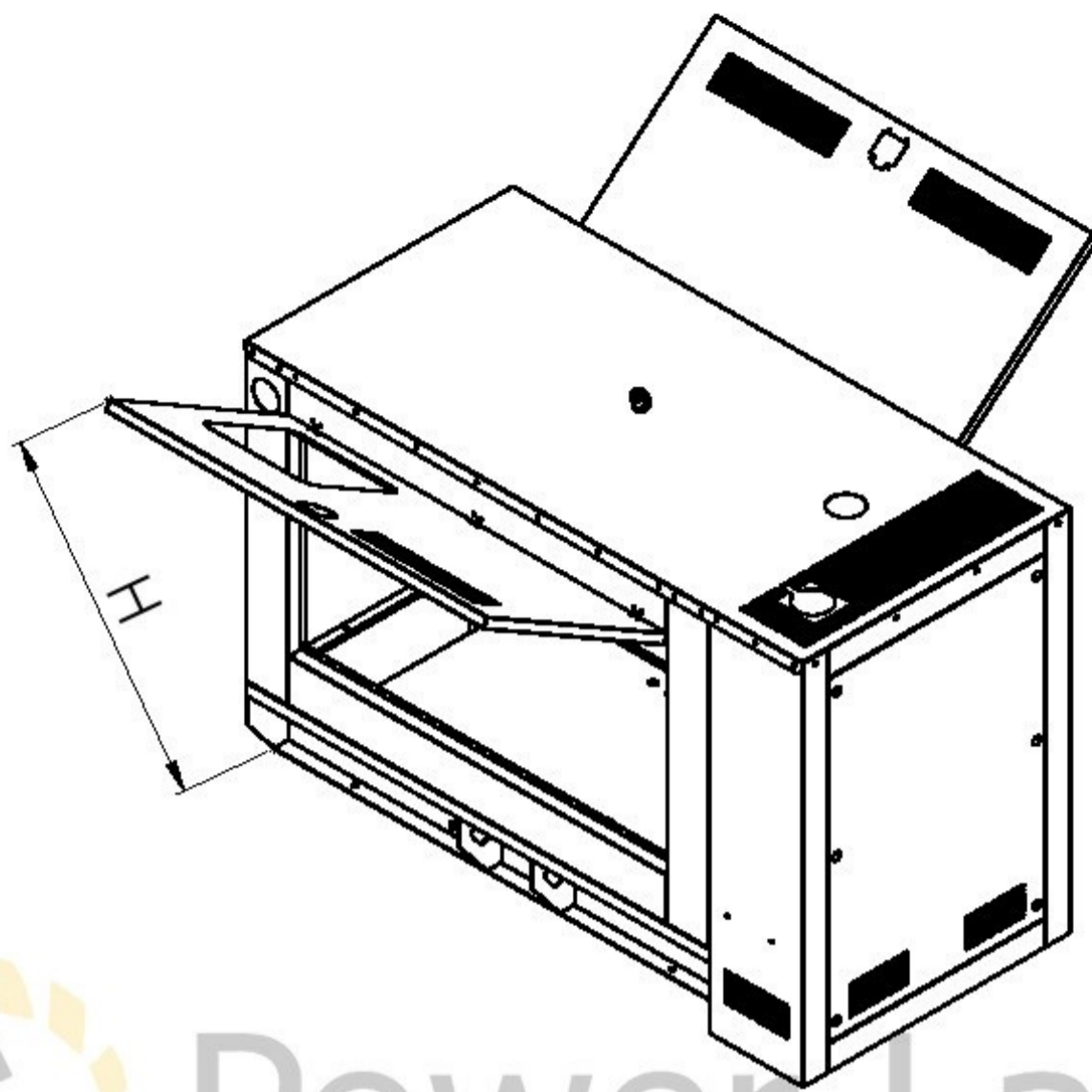


NAME	DATE	DO NOT SCALE DRAWING	REVISION
DRAWN		TITLE: C-80	
CHK'D		DWG NO. Assembly	
APPV'D		A3	
MFG		SCALE: 1:50	
MATERIAL:		SHEET 1 OF 1	
WEIGHT:			
DIMENSIONS ARE IN MILLIMETERS			



## Dimensions

	A: mm (in)	B: mm (in)	C: mm (in)	D: mm (in)	E: mm (in)	F: mm (in)	H: mm (in)
C 80	2285	1100	1500	1615	854	854	1400